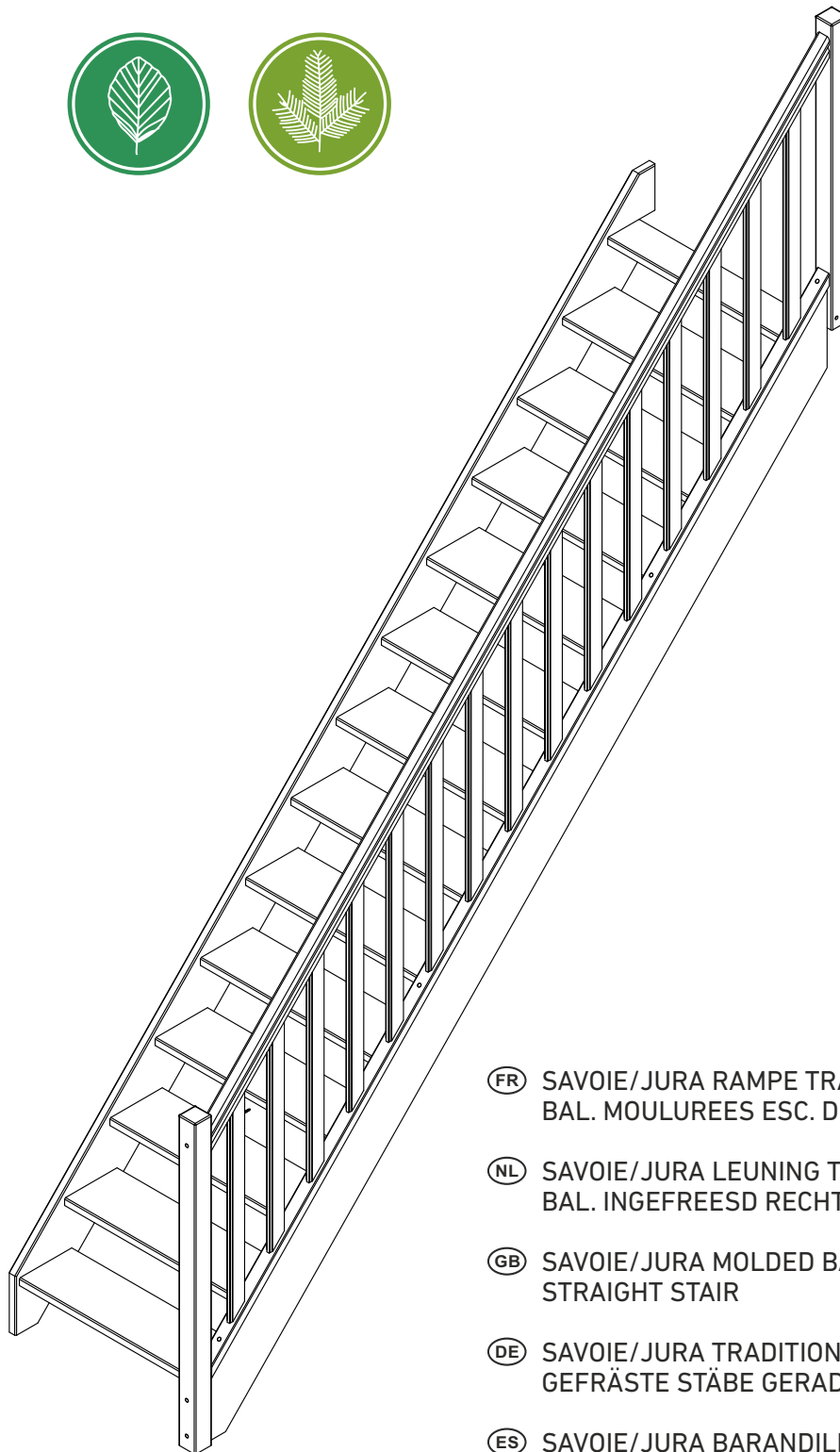


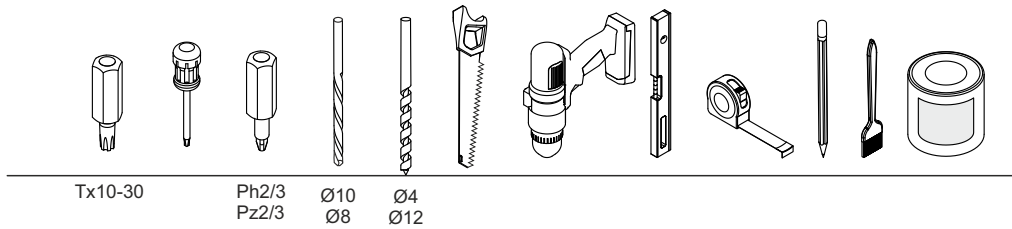


SAVOIE • JURA

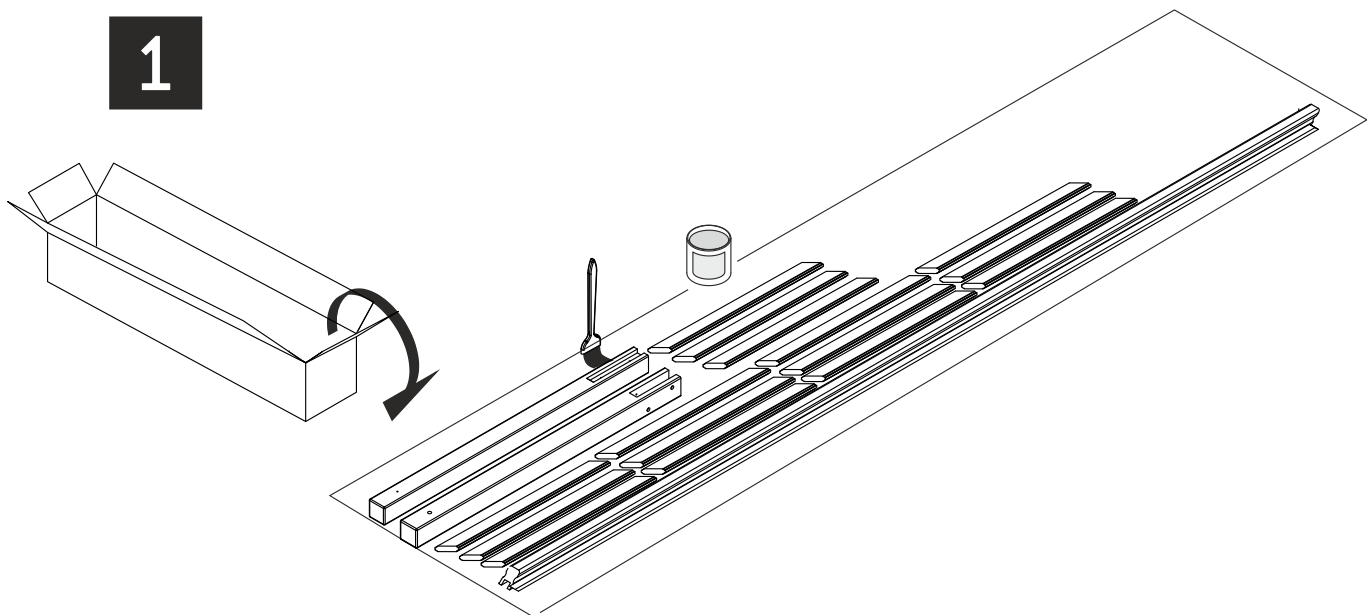


- (FR) SAVOIE/JURA RAMPE TRADITIONELLE "A"
BAL. MOULUREES ESC. DROIT
- (NL) SAVOIE/JURA LEUNING TRADITIONEEL "A"
BAL. INGEFREESD RECHTS
- (GB) SAVOIE/JURA MOLDED BANISTER
STRAIGHT STAIR
- (DE) SAVOIE/JURA TRADITIONELLES GELÄNDER "A"
GEFRÄSTE STÄBE GERADE TREPPE
- (ES) SAVOIE/JURA BARANDILLA TRADICIONAL "A"
BALAUSTRES MOLDURADOS ESC. RECTA
- (RO) SAVOIE/JURA RAMPA TRADITIONALA "A"
CU BALUSRTI FREZATI PENTRU SCARA DREAPTA.

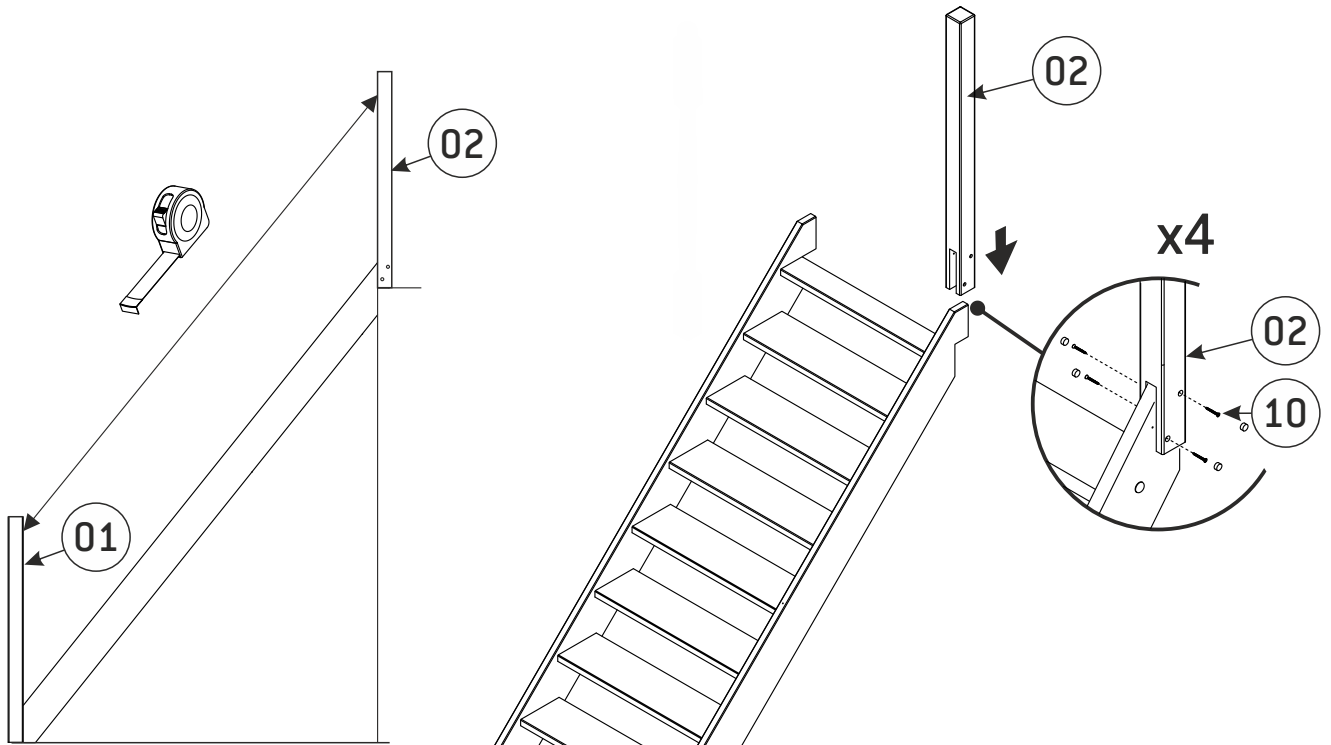
01 70x70x1200 mm x1 	02 70x70x1109 mm x1 	03 25x62x850 mm x15 	04 50x50x3800 mm x1 	05 32x54x3800 x1 	06 26x16x3800 mm x1 	07 16x25x166 mm x2 149,82 mm 	09 04x45 mm x4+2 	11 05x60 mm x4+2
						08 012x6 mm x12+2 	10 04x40 mm x53+2 	



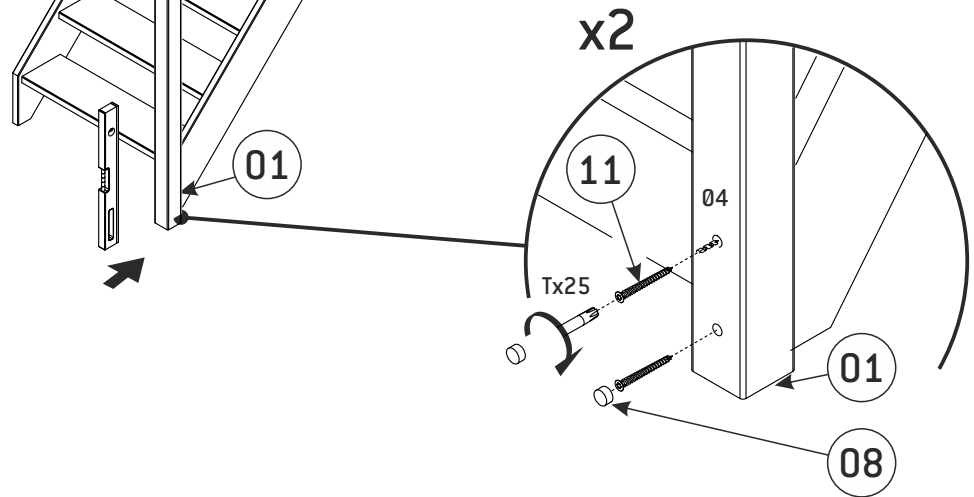
1



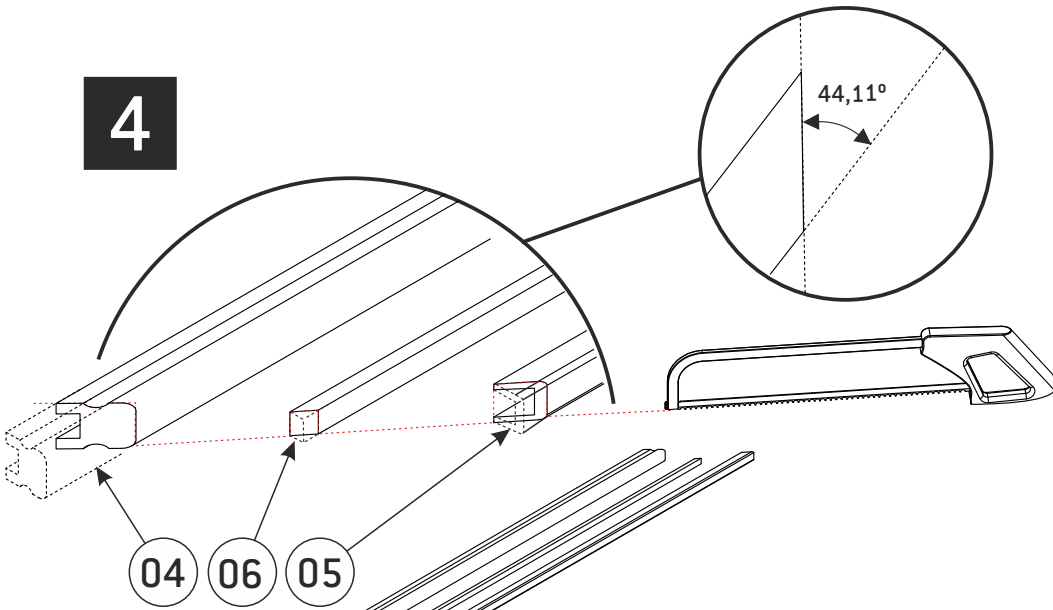
2



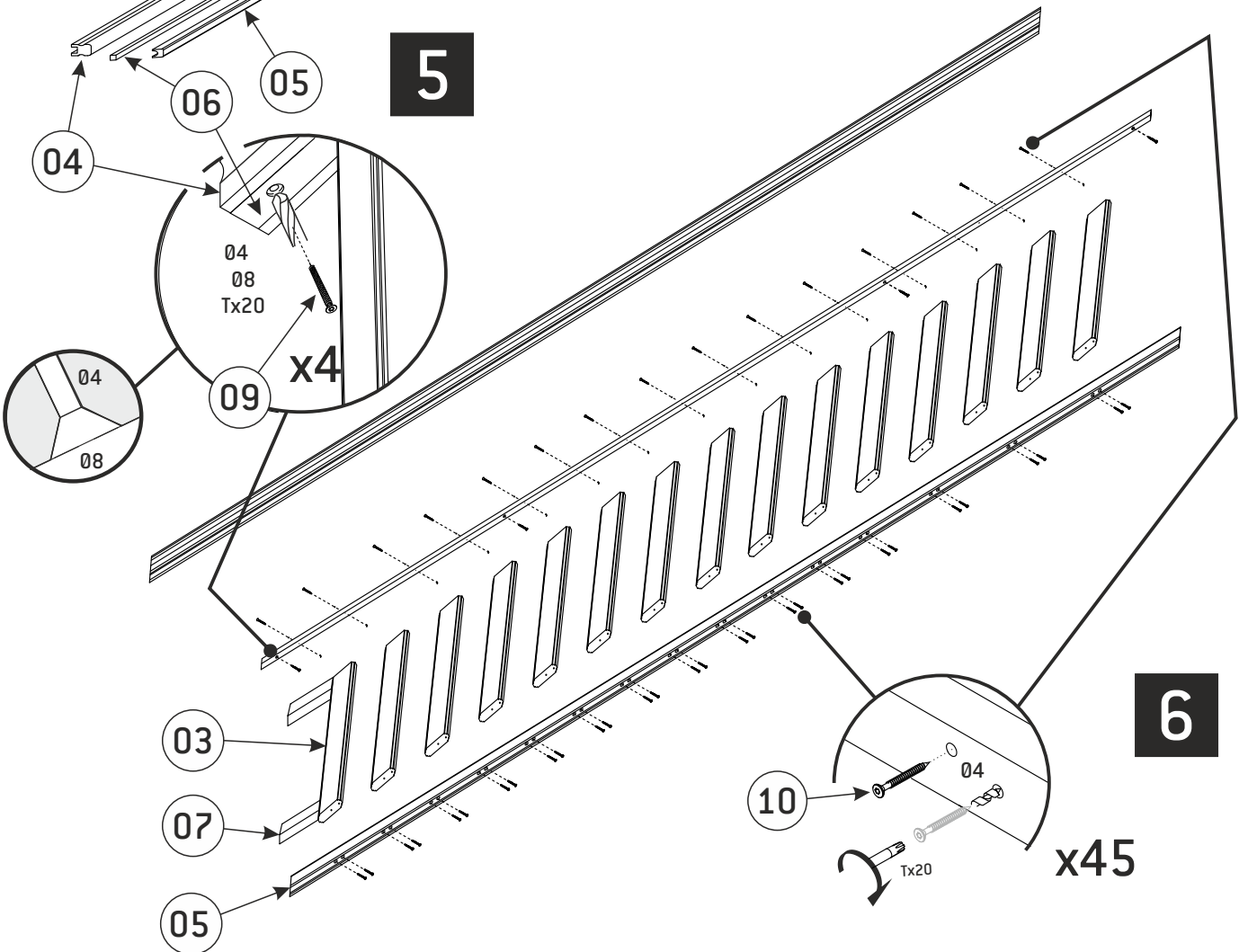
3



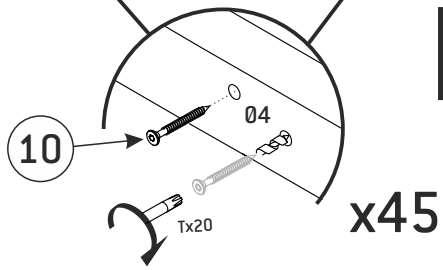
4

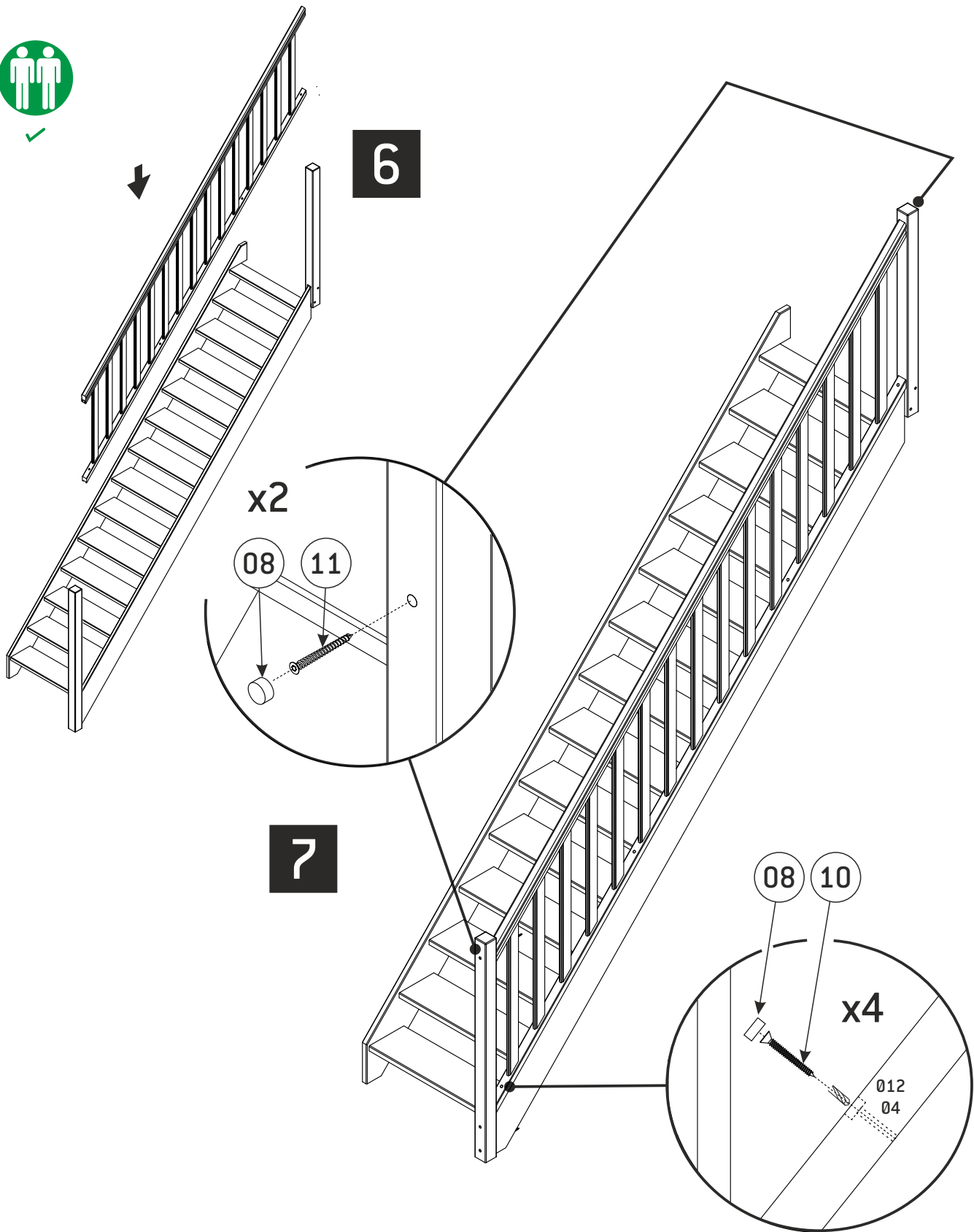


5



6





40 AVENUE DE L'ESPÉRANCE - 6220 FLEURUS - BELGIUM
TEL: +32/71/25.39.60, E-MAIL: info@sogem-sa.com